

Loft 6031 R - 2 skirts (front and right), drain at right

Product code : **LO6031R-SFR**

Draft revision : **20151218090000**

External dimensions : **60" x 31" x 22" [152,4 cm x 78,7 cm x 55,9 cm]**

Series : **freestand**

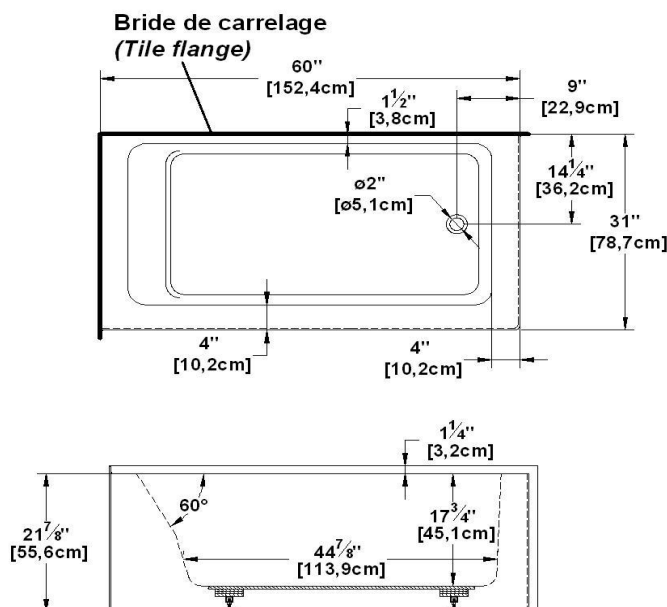
Seats : **1**

Lumbar support : **yes**

Arm rests : **no**

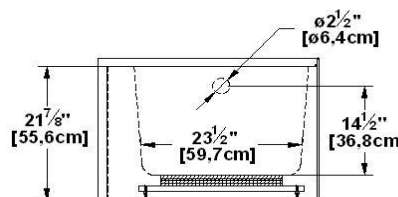
Low-profile available : **no**

Draft and specs

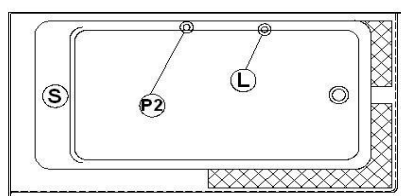


Specifications	
Capacity :	42 IMP Gal. / 54,8 US Gal. / 190,9 liters
AeroMassage™ :	40 Easy Clean™ air jets
Super AeroMassage™ :	AeroMassage™ + 12 Easy Clean™ air jets
Dynamic Turbo™ :	unavailable
Comfort Air™ :	40 Easy Clean™ air jets
Characteristics :	2 integrated skirts

Remarks	
*all measures have a precision of ± 1/4" (0,63cm)	
*internal dimensions taken at 4" (10cm) from bath bottom	
*capacity is measured by filling the soaker to 1-1/2" under the overflow	



Options and installation



accessories and decorative lines positions are approximative

Additional(s) note(s) :

Integrated acrylic tile flanges. If system, delivered with keypad not installed. Available in white only. When ordered with AeroMassage™ or Super AeroMassage™, blower must be remote mounted. Only one handle can be factory installed.

Legend			
(S)	Blower	(L)	Chromotherapy light
(P1)	Pump	(P2)	Grab bar
(C)	Keypad		
Recommended faucets drilling location*			
Deck cut-out line - - - - -			

Available models	
Model	Availability
Soaker alone	✓
Comfort Air™	✓
AeroMassage™	✓
Super AeroMassage™	✓
Dynamic Turbo™ (not available in the U.S.)	
Dynamic Turbo™ + AeroMassage™	
Dynamic Turbo™ + Super AeroMassage™	

Available recommended options	
Front skirt :	
Recommended drain : WOCOSBS14 (chrome finish)	
Tile flanges : Included on sides without skirt	
Remote control** : available	
**Floating	

*It is possible to install the faucets elsewhere on the product. The installer must verify that there are no piping or wires before drilling.

IMPORTANT NOTE : Specifications, dimensions and models are subject to change.

Visit our website <http://www.oceania-attitude.com> to access up-to-date dimensions and informations. In all cases, information on the website is the most up-to-date. Dimensions may vary slightly. To ensure proper fit, measurements must be taken on the product directly.

Head office

591, avenue des Entreprises
 Thetford Mines, Quebec
 CANADA G6H 4B2

Phone numbers

No-charge : 1-877-332-4224
 Fax : 1-866-460-4334

Internet

Web : <http://www.oceania-attitude.com>
 Email : info@oceaniabaths.com